

ViewSonic  **VIEWBOARD**
IFP8670

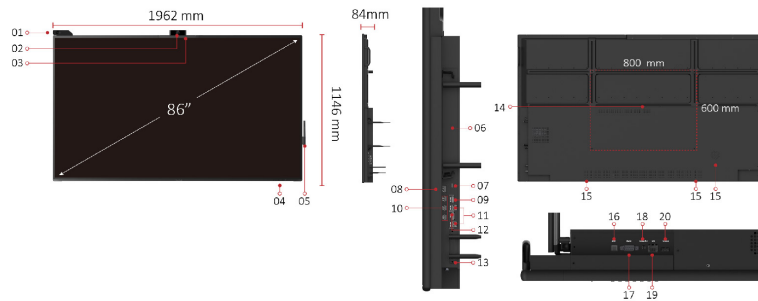
Key Features

- Advanced Projected Capacitive (PCAP) touch technology
- Write Naturally and Accurately with Smart Active Pen
- Azure certified IoT sensor hub for workplace management
- High Quality Video Conferencing Solution
- Single cable content sharing through USB Type C



Product Description

The ViewBoard® IFP70, our flagship interactive display, is tailored for visual collaboration in a digital workplace. Adopting advanced Projected Capacitive (PCAP) touch technology, it has a frameless, flat touchscreen to deliver precise responsiveness and the most accurate touch experience. Together with the smart pen, it enables you to write naturally and accurately like a real pen on a 4K Ultra HD resolution screen, streamlining visual collaboration. The ViewBoard® IFP70 series has quick, easy connectivity for content sharing via USB-C cable or wireless ViewBoard® Cast. Furthermore, it has a high quality video conferencing solution for the remote workforce with certified FHD camera, 6 mic array and 2.1 speaker configuration. In addition, the ViewBoard® IFP70 series gives you extra security to keep your information safe, private and compliant. It has built-in, AWS-powered myViewBoard™ whiteboarding software and an optional Intel® vPro™ slot-in PC. The ViewBoard® IFP70 series is also equipped with IoT sensors, which meet Windows Collaboration Display standards. It can work with Microsoft Azure Digital Twins to monitor and optimise your smart meeting rooms and collaboration spaces.



- | | | | | |
|--------------------------|---------------------------|------------------|----------------------|---------------|
| 1. Sensor Hub | 6. Intel Unite® Certified | 8. HDMI Out | 13. WiFi Module Slot | 17. RS232 |
| 2. Camera | OPS Slot | 9. HDMI In | 14. VESA Wall Mount | 18. Audio Out |
| 3. 6 Array Microphone | 7. USB-C (USB 3.0, DP 1.4 | 10. USB 3.0 X 3 | 800x600mm | 19. LAN |
| 4. Meun Controls | Alternate Mode, | 11. Touch X 2 | 15. 2.1 Speakers | 20. USB 2.0 |
| 5. Smart Pen and Charger | Ethernet, PD 60W) | 12. Display Port | 16. SPDIF | |

Visit Us - www.viewsonic.com

DISPLAY

Panel Size:	86"
Type/Tech:	TFT LCD Module with DLED Backlight.
Display Area (mm):	1895.04 (H) x 1065.96 (V) (85.6"diagonal)
Aspect Ratio:	16:9
Native Resolution:	UHD 3840x2160(Pixels)
Colours:	1.07B colours (10bit)
Brightness:	350 nits (typ.)
Contrast Ratio:	1200:1 Typ.
Response Time:	8ms
Viewing Angles:	H = 178, V = 178 typ.
Backlight Life:	30,000 Hours (Min)
Surface Treatment:	Anti-Glare/anti finger print
Bezel:	Slim
Orientation:	Landscape

PLATFORM

Processor:	Dual core A73+Dual core A53
RAM:	4GB DDR4
Storage:	32GB

TOUCH

Type/ Tech:	PCAP
Touch Resolution:	32767 x 32767
Touch Point:	20 points touch, 10 points writing

INPUT

HDMI:	2.0 x1 (3840x2160 @60Hz)
DisplayPort:	X1 1.4
RS232:	x1
OPS:	x1 PC Slot (proprietary)

OUTPUT

HDMI:	X1(4K2K@60Hz)
Audio:	x1 (Earphone out)
SPDIF:	1(optical)

LAN

RJ45:	x1
-------	----

USB

Type A:	USB 3.0 x3
Type B:	USB 3.0 x2, for touch
Type C:	x1 USB3.0, DP1.4 Alternate mode, Ethernet, PD 60W

SPEAKERS

SPEAKERS:	10W x 2 + 15W x 1 subwoofer
-----------	-----------------------------

CAMERA PLATE ON TOP FOR SCREW-IN WEBCAM**INSTALLATION**

Camera plate on top for screw-in webcam installation:	Yes
---	-----

COMPATIBILITY

CVBS:	480i
HDMI:	3840x2160

EMBEDDED OS

Embedded OS:	Android 8
--------------	-----------

USB SUPPORTED FILE FORMAT

USB SUPPORTED FILE FORMAT:	Picture - BMP, JPEG, PNG
	Video - Codec: MPEG1, MPEG2, MPEG2-PS, MPEG4, MKV Container: MPG, MP4, MOV, VOB, DAT, MKV
	Audio - Codec: AAC, HEAAC, MPEG1, MPEG2 Container: AAC, M4A, MP3

BUNDLE SOFTWARE

Basic Annotation Software:	myViewBoard for android
Pro Annotation Software:	myViewBoard for windows (Embedded in Windows Slot-in PC)
Wireless Presentation with Touch Feedback:	Yes
Viewboard Cast:	Yes
Zoom:	Yes
ViewSonic Launcher:	Embedded

SPECIAL FEATURES

All-in-one USB port (combine Windows/Android USB port; no need to distinguish them anymore):	Yes
Simple LAN sharing between IFP and slot-in device:	Yes

POWER

Voltage:	100-240VAC +/- 10% Wide Range
Consumption:	On:176.6W(Typ.) Off: <0.5W

ERGONOMICS

Wall Mount (VESA®):	800 x 600
----------------------	-----------

OPERATING CONDITIONS

Temperature (° C):	0°C to 40°C
Humidity:	10% ~ 90% RH non-condensing

DIMENSIONS (W X H X D)

Physical (inch / mm):	1962X1146X84(mm) 77.24x45.11x3.3(inch)
Packaging (inch / mm):	2123X1345X280(mm) 83.8X52.9X11(inch)

WEIGHT

Net (lb / kg):	160.93/73Kg
Gross (lb / kg):	209.43/95Kg

REGULATIONS

REGULATIONS:	FCC, cTUVus, CB, CE, RCM,
--------------	---------------------------

ENERGY STAR VERSION

Energy Star version:	Under proceed apply to ES8.0
----------------------	------------------------------

EEL RATING

EEL rating:	A+
-------------	----

PACKAGE CONTENTS

PACKAGE CONTENTS:	<ol style="list-style-type: none"> 1. Power cable (3 metres) x 4 2. Remote control 3. AAA battery X2 4. USB cable Type C (1.5 metres pass logo) 5. activeTouch pen x 2 6. Pen Charger X1 7. Quick Start Guide 8. RS232 adapter 9. Clamp x 7 10. Camera 11. Screw x 6 (4 for wall mount ,2 for sensor hub) 12. HDMI cable (3 metres) 13. Sensor hub 14. Touch USB cable (3 metres) 15. Micro USB cable for camera (2 metres)
-------------------	--

COMPATIBLE SLOT-IN PC

Compatible Slot-in PC:	VPC14-WP series VPC10-WP series VPC15-WP series VPC16-WP series VPC17-WP series
------------------------	---